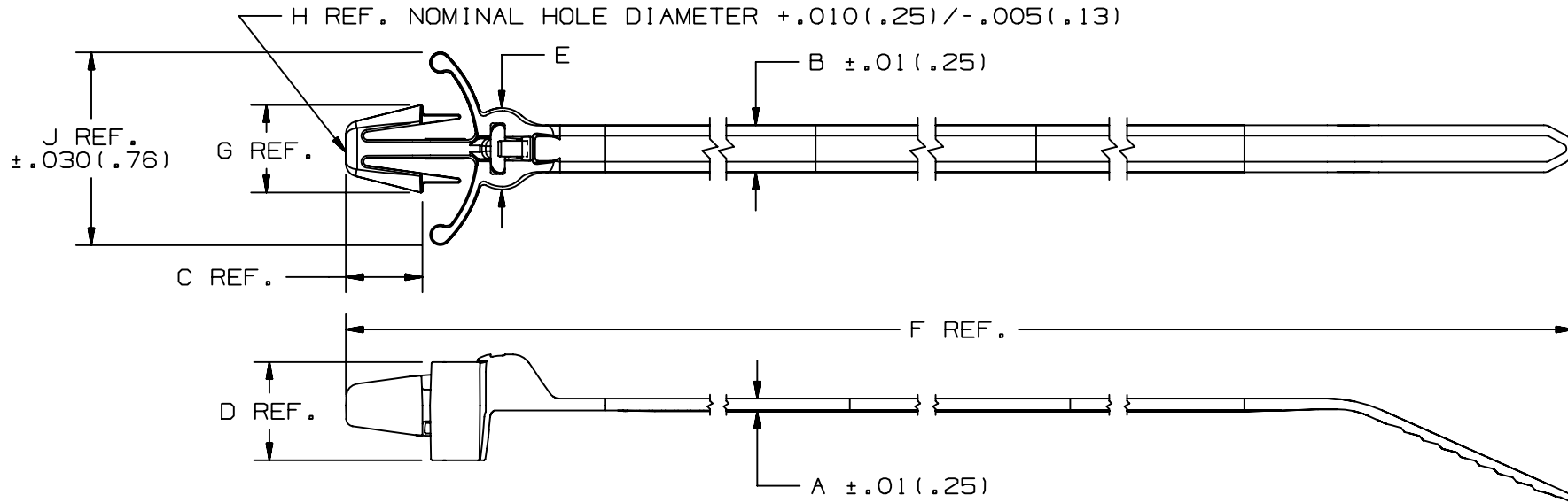


THIS COPY IS PROVIDED ON A RESTRICTED BASIS AND IS NOT TO BE USED IN ANY WAY DETRIMENTAL TO THE INTERESTS OF PANDUIT CORP.



PANDUIT PART NO.	BUNDLE DIAMETER		A in (mm)	B in (mm)	C in (mm)	D in (mm)	E in (mm)	F in (mm)	G in (mm)	H in (mm)	J in (mm)	MAX. PANEL THICKNESS in (mm)	MIN. LOOP TENSILE lbs (n)	CROSS-SECTION	WEIGHT 100 pcs lbs (g)
	MIN. in (mm)	MAX. in (mm)													
BW2S	.06 (1.5)	2.00 (51)	.052 (1.3)	.185 (4.7)	.300 (7.6)	.370 (9.4)	.320 (8.1)	8.5 (216)	.330 (8.4)	.250 (6.4)	.74 (18.8)	.156 (4.0)	50 (222)	STANDARD	.40 (181)
BW3S	.06 (1.5)	3.00 (76)	.052 (1.3)	.185 (4.7)	.300 (7.6)	.370 (9.4)	.320 (8.1)	12.5 (318)	.330 (8.4)	.250 (6.4)	.74 (18.8)	.156 (4.0)	50 (222)	STANDARD	.51 (231)
BW4S	.06 (1.5)	4.00 (102)	.052 (1.3)	.185 (4.7)	.300 (7.6)	.370 (9.4)	.320 (8.1)	15.6 (396)	.330 (8.4)	.250 (6.4)	.74 (18.8)	.156 (4.0)	50 (222)	STANDARD	.62 (281)

DIMENSIONS IN PARENTHESIS ARE IN METRIC UNITS

PANDUIT CORP. TINLEY PARK, ILLINOIS

DOME-TOP Barb Ty LOCKING WING
PUSH MOUNT TIE - BW SERIES

UNLESS OTHERWISE SPECIFIED,
DIMENSIONAL TOLERANCES ARE:
(.X) ± .1(2.5) (.XXX) ± .020(.51)
(.XX) ± .02(.5) ANGLES ±

UNLESS OTHERWISE SPECIFIED,
ALL DIMENSIONS ARE GIVEN
IN INCHES, THIRD ANGLE PROJECTION.

DRAWN BY
CJW

MAT'L;

SCALE
NONE

DATE
1-19-99

NYLON 6.6

DRAWING NO.

BT-0278

DWG
A
SIZE

6

12/2/04

ERW

REWORDED TITLE BLOCK

0278

6

REV

DATE

BY

CHK

DESCRIPTION

ECN - R

CUST

SUP

CHK'D
JVL