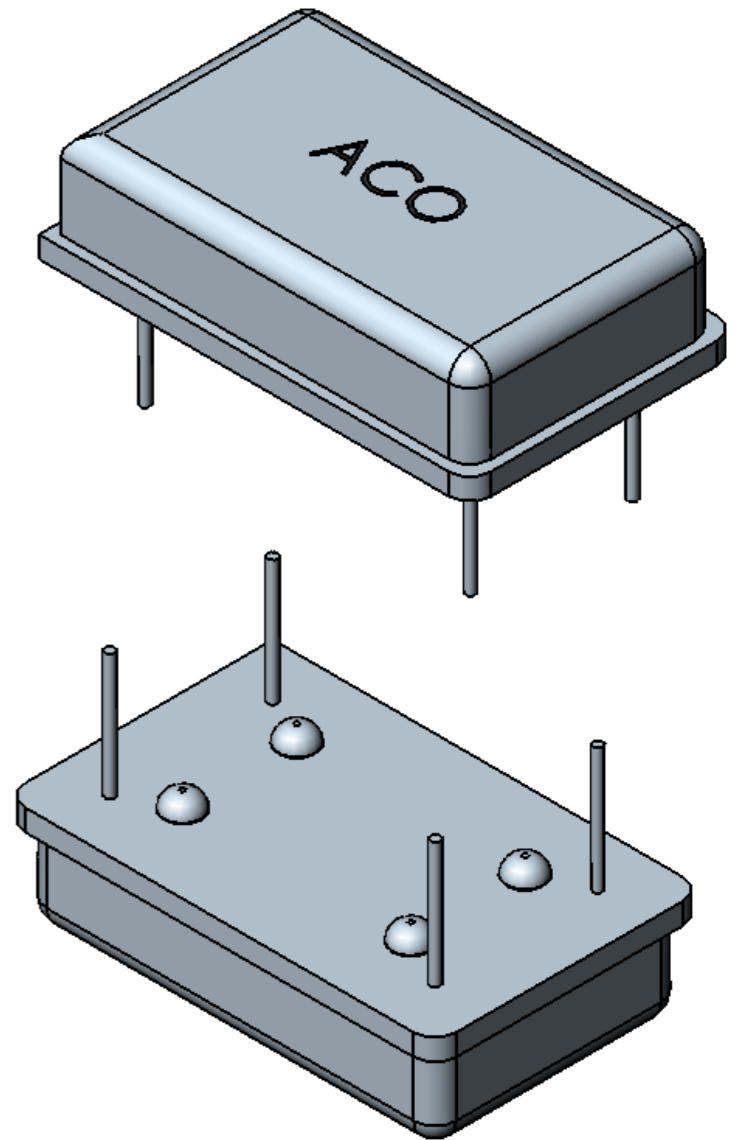



PIN	FUNCTION
1	NC or Tristate
7	GND/Case
8	Output
14	VDD

Note: Recommend using an approximately 0.01uF bypass capacitor between PIN 7 and 14



TOP PACKAGE MARKING IS FOR ILLUSTRATION PURPOSES ONLY

The height of the package vary depending on the frequency >100MHz. Please contact ABRACON for the height information for F>100MHz.

UNLESS OTHERWISE SPECIFIED: DIMENSIONS ARE IN INCH(MM) SURFACE FINISH: TOLERANCES: LINEAR: ANGULAR:				FINISH:	DEBUR AND BREAK SHARP EDGES	DO NOT SCALE DRAWING	REVISION
DRAWN SAAZVAT				SIGNATURE	DATE	 30332 Esperanza, Rancho Santa margarita, California 92688	
CHK'D XXXXXX						TITLE: OSCILLATOR	
APPV'D						DWG NO. ACO	
MFG				MATERIAL:		SCALE:4:1	
Q.A				WEIGHT:		SHEET 1 OF 1	